



Rolly platform



ROLLY 7 1/2

M33 BC 10 Ah



Battery charger 24V 5A,
battery case Li Fe P04 24V 10 Ah
on standard equipment.



ROLLY 7 1/2

M33 BC 20 Ah



Battery charger 24V 5A,
battery case Li Fe P04 24V 20 Ah
on standard equipment.



ROLLY 11

M33 BC 10 Ah



Battery charger 24V 5A,
battery case Li Fe P04 24V 10 Ah
on standard equipment.



ROLLY 11

M33 BC 20 Ah



Battery charger 24V 5A,
battery case Li Fe P04 24V 20 Ah
on standard equipment.

FURTHERMORE...



Machine basic version

+

Kit power supply



**AND ROLLY BECOMES A
CABLE MACHINE!!**

Basic specifications

- Dimensions: 640x450x422 mm
640x450x502 mm
- Deck types: Cylindric 330 mm
- Running time: 1 h (batteries 10 Ah)
2h (batteries 20 Ah)
- Tank capacity: 7,5/8 l
11/12 l
- Brush speed: 800 rpm
- Noise level: 58 dB(A) / Silent mode **54 dB(A)**



Top 5 features

- **COMPACTNESS-MANOEUVRABILITY**

Compact dimensions, foldable and unlockable handle...you can work everywhere!

- **LITHIUM BATTERIES**

Big power in a small case!

- **PERFORMANCE**

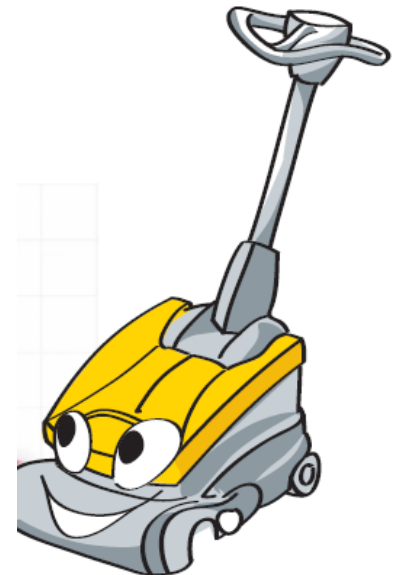
Best cleaning and drying performance

- **EASE OF USE**

Everything is simple with Rider...simple to use and easy to maintain

- **DESIGN**

Armony of shapes and ergonomics ... and so tiny!



Who uses this machine?

- ✓ Compact dimensions

Handle with unlocking system

Rear swivel wheels

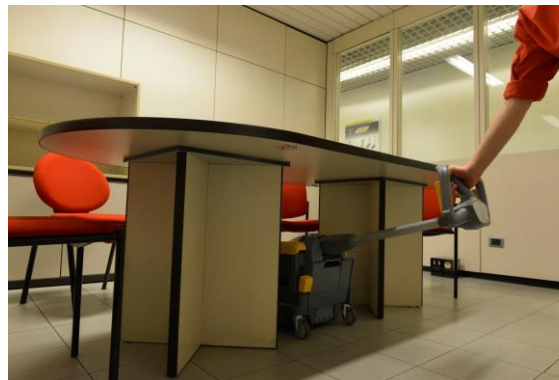
- ✓ Silent Mode

IT CAN WORK EVERYWHERE EVEN IN THE MOST
NARROW SPACES

IDEAL FOR DAY CLEANING IN ALL
ENVIRONMENTS (HOSPITAL, REST HOMES,...)
WHERE SILENCE IS A “MUST”

**ROLLY IS EXTREMELY COMPACT, SO IDEAL FOR SMALL AREAS
(where no other scrubber dryer can go and work)**

- Coffe shop /Restaurant
- Office buildings
- Schools – Universities
- Hospital's room
- Small shops



Dimensions

ROLLY 7½

640x450x422 mm

23 Kg

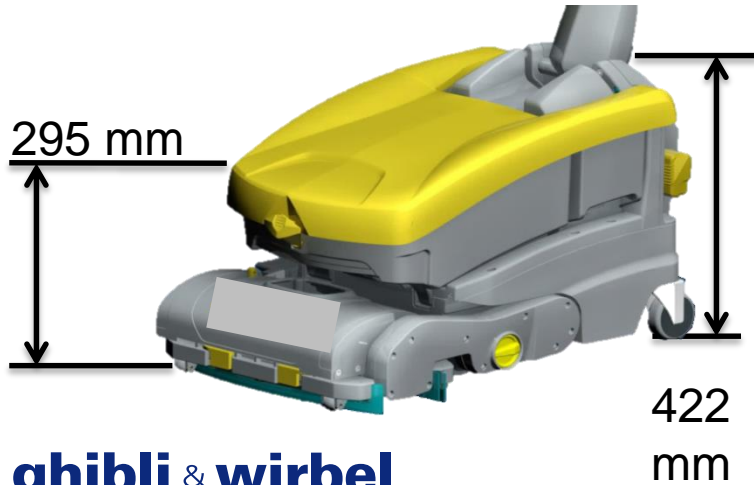


ROLLY 11

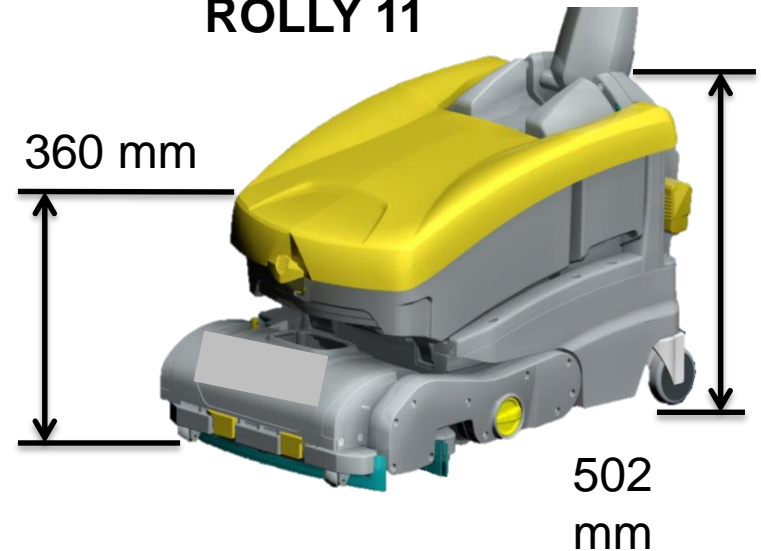
640x450x502 mm

24Kg

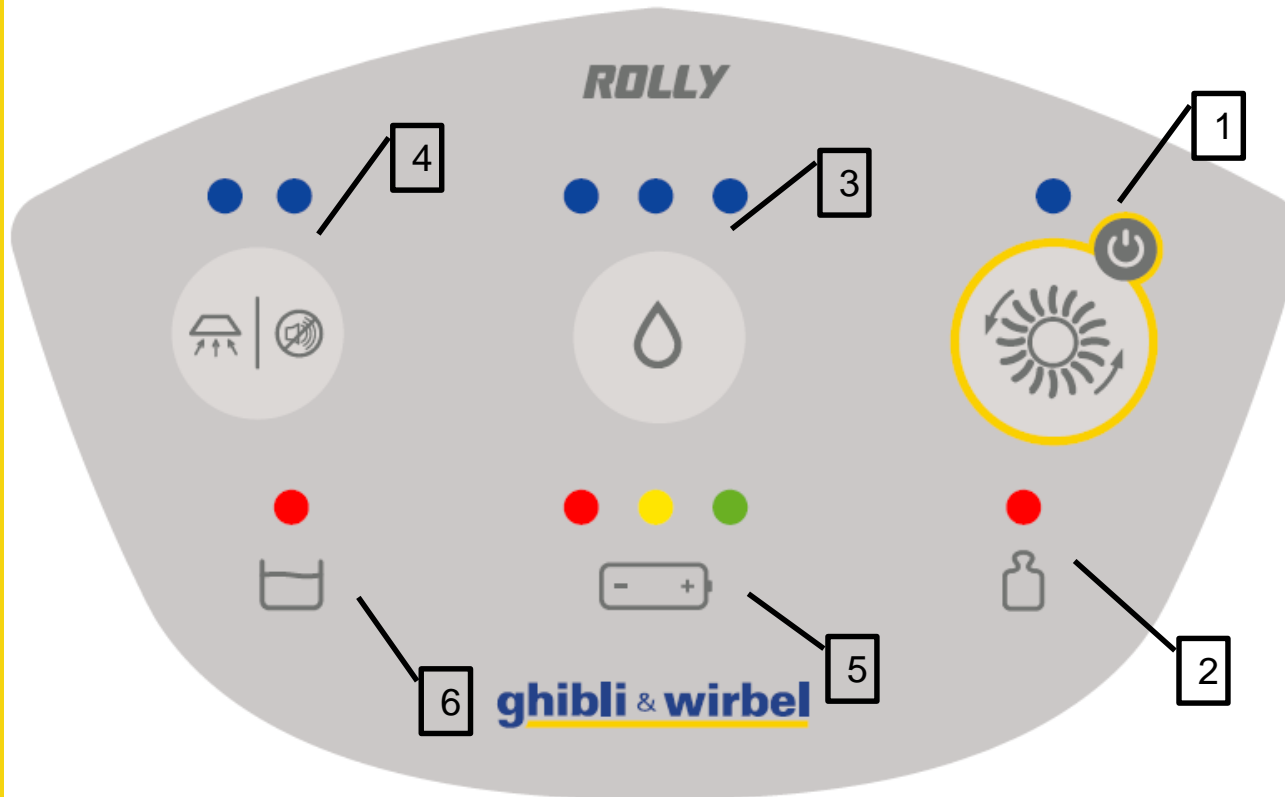
ROLLY 7½



ROLLY 11



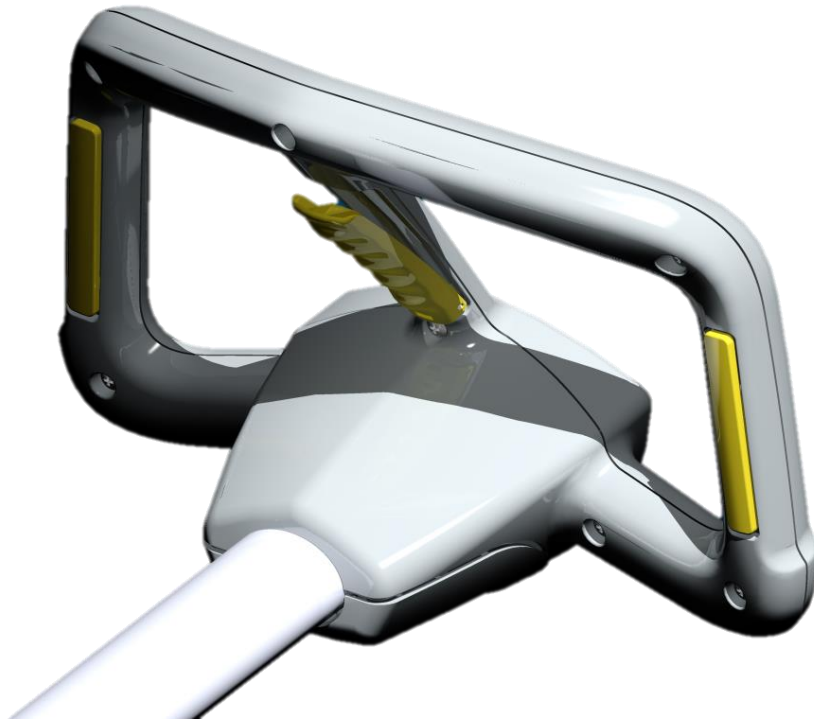
Control panel



1. Brush button
ONE TOUCH button
2. Brush pressure light signal
3. Water
4. Vac motor
LOW NOISE mode
5. Battery charge indicator
6. Full recovery tank alert

Double handling/control system

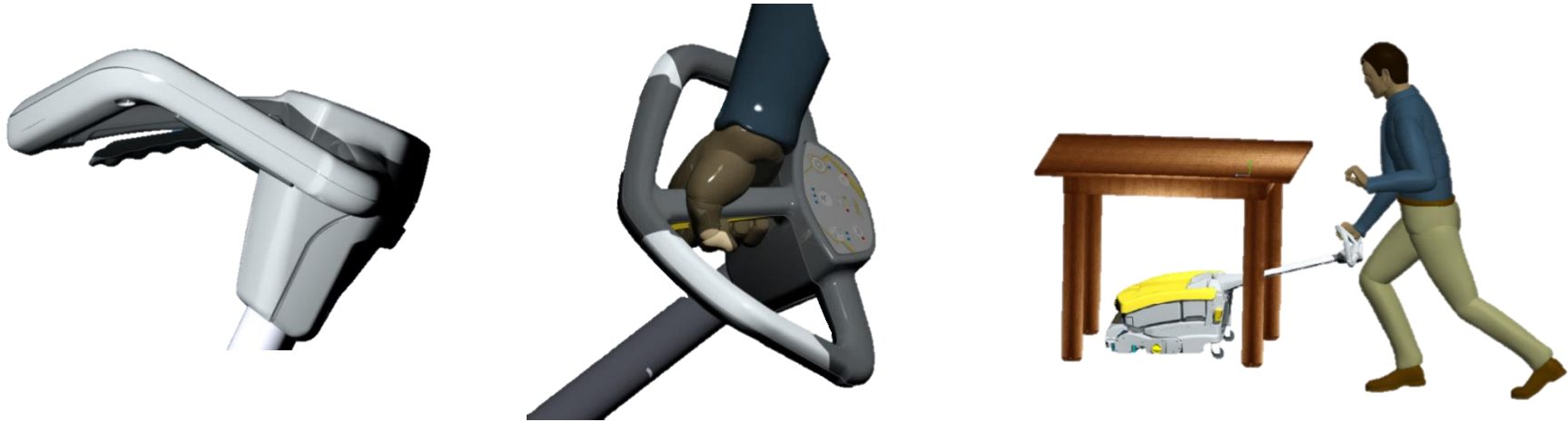
Lateral levers to start/drive the machine...



Double handling/control system

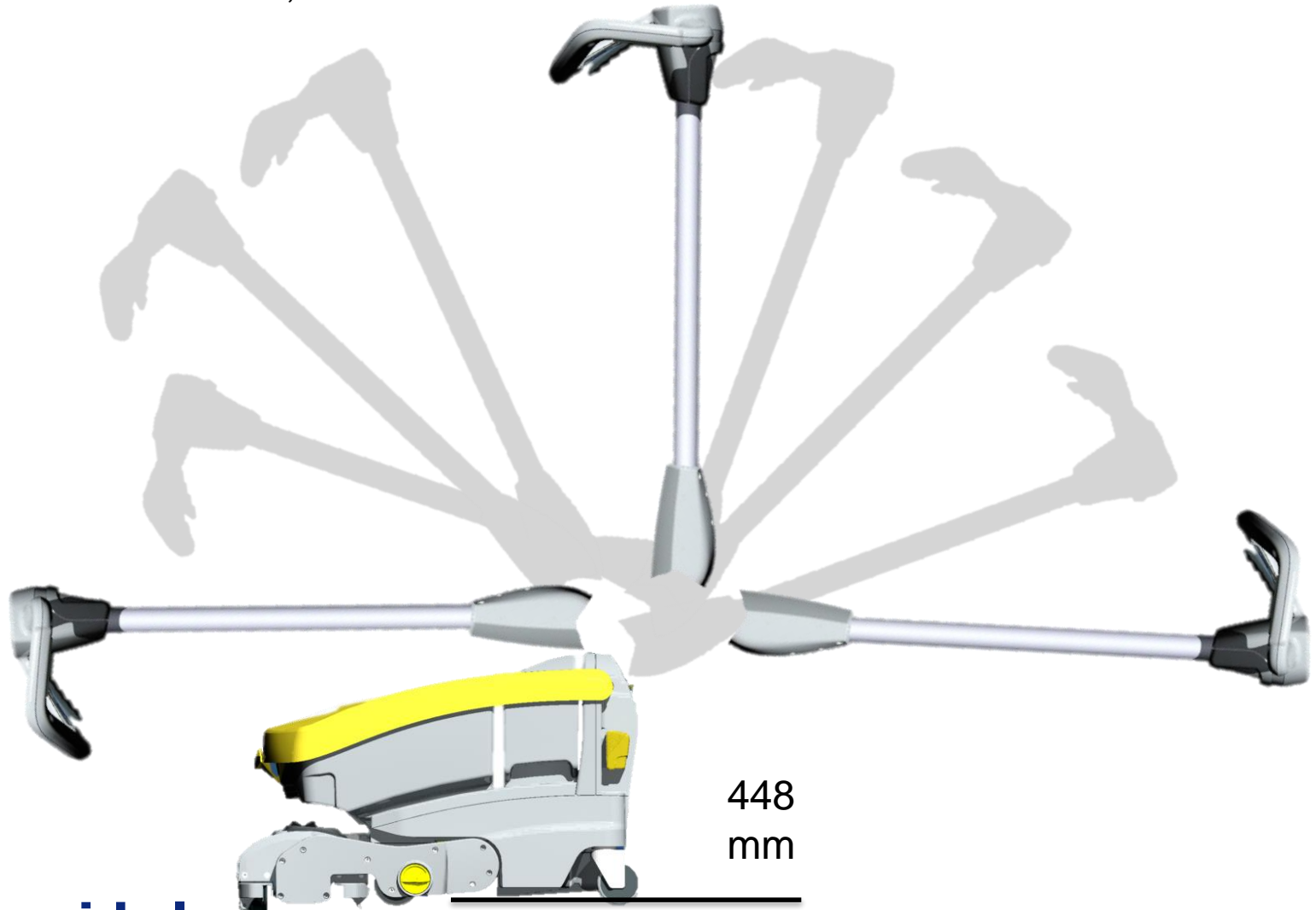


... and front lever, to unlock the handle and let Rolly go under shelves, table, etc



Handle system

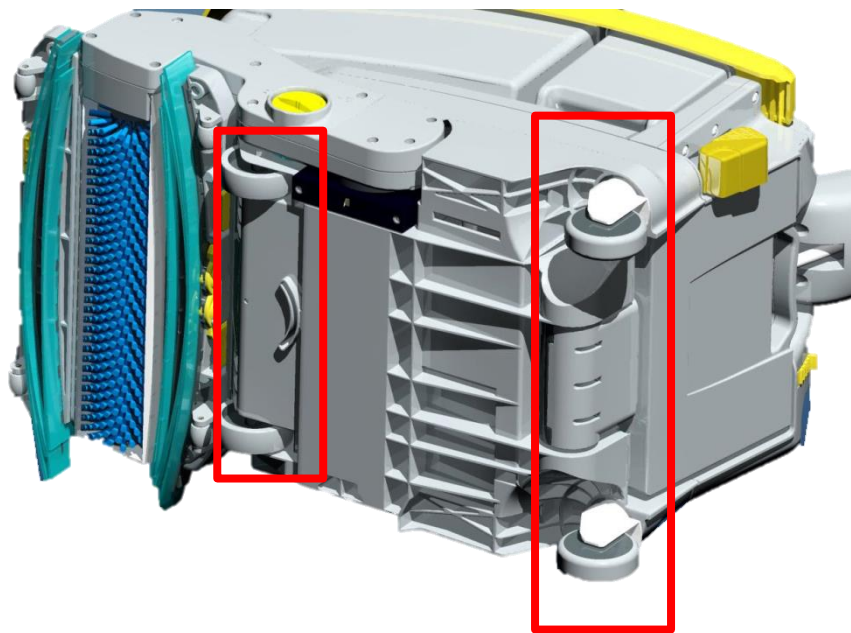
Completely foldable handle
No need to remove tanks, cover...



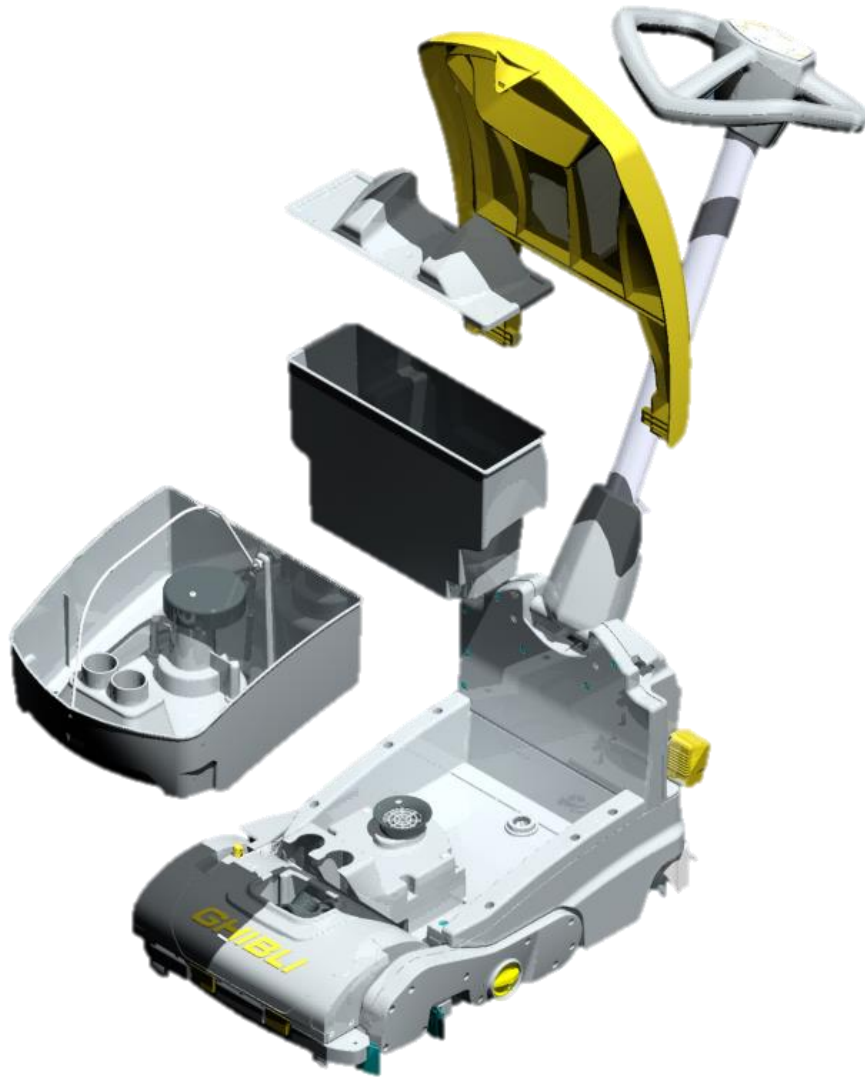
Wheels

- 2 front fixed wheels Ø80mm
- 2 rear pivoting wheels Ø80mm

Max manoeuvrability, Rolly easy to use/move in congested areas



Tanks



ROLLY 7½
SOLUTION TANK
7,5 l
RECOVERY TANK
8 l

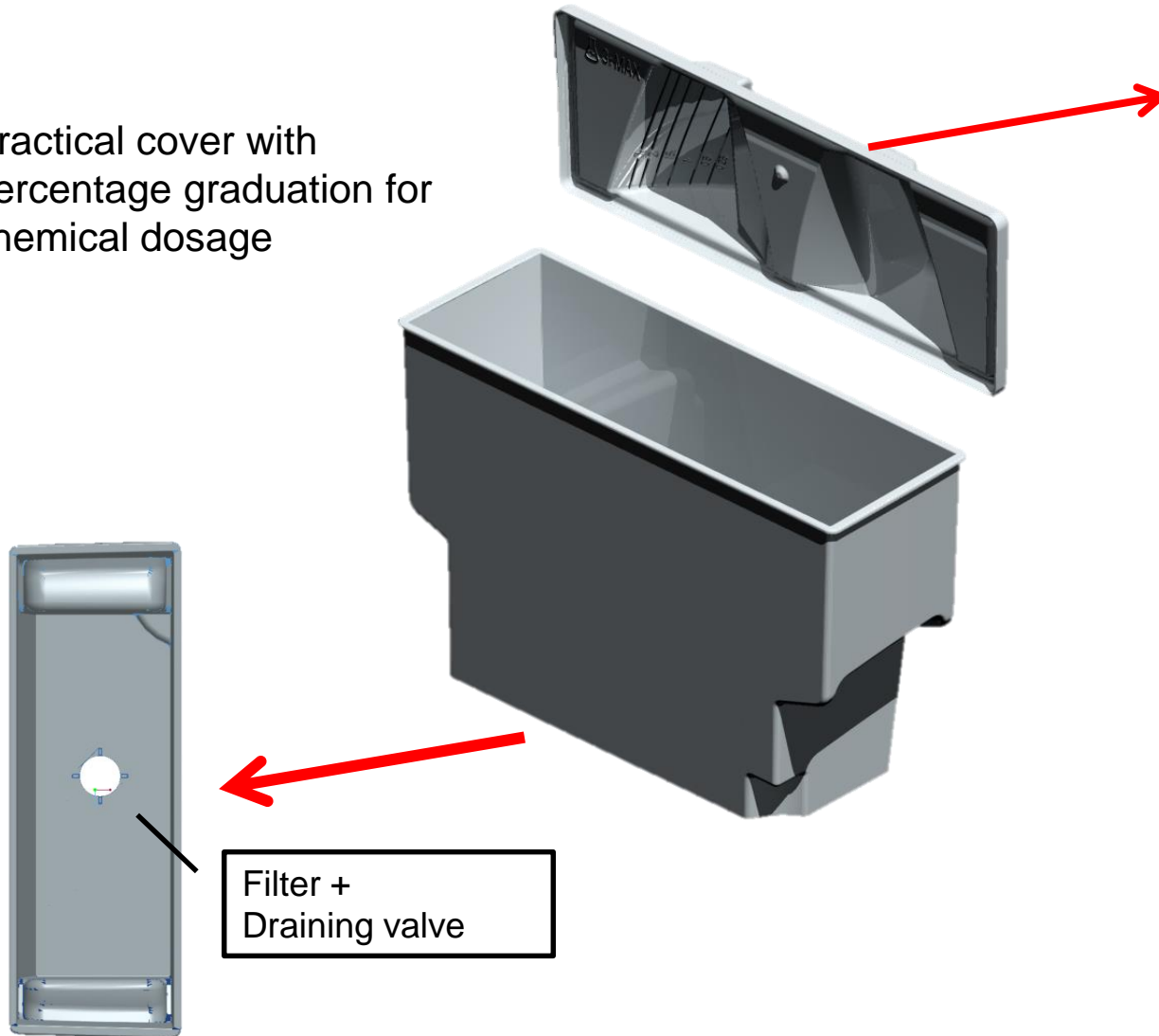
ROLLY 11
SOLUTION TANK
11 l
RECOVERY TANK
12 l



Solution tank

Easy to carry / fill

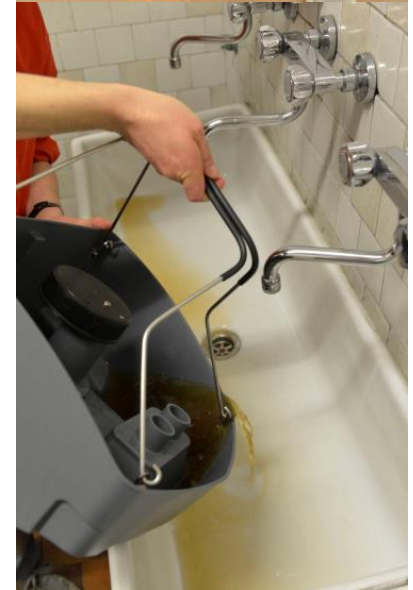
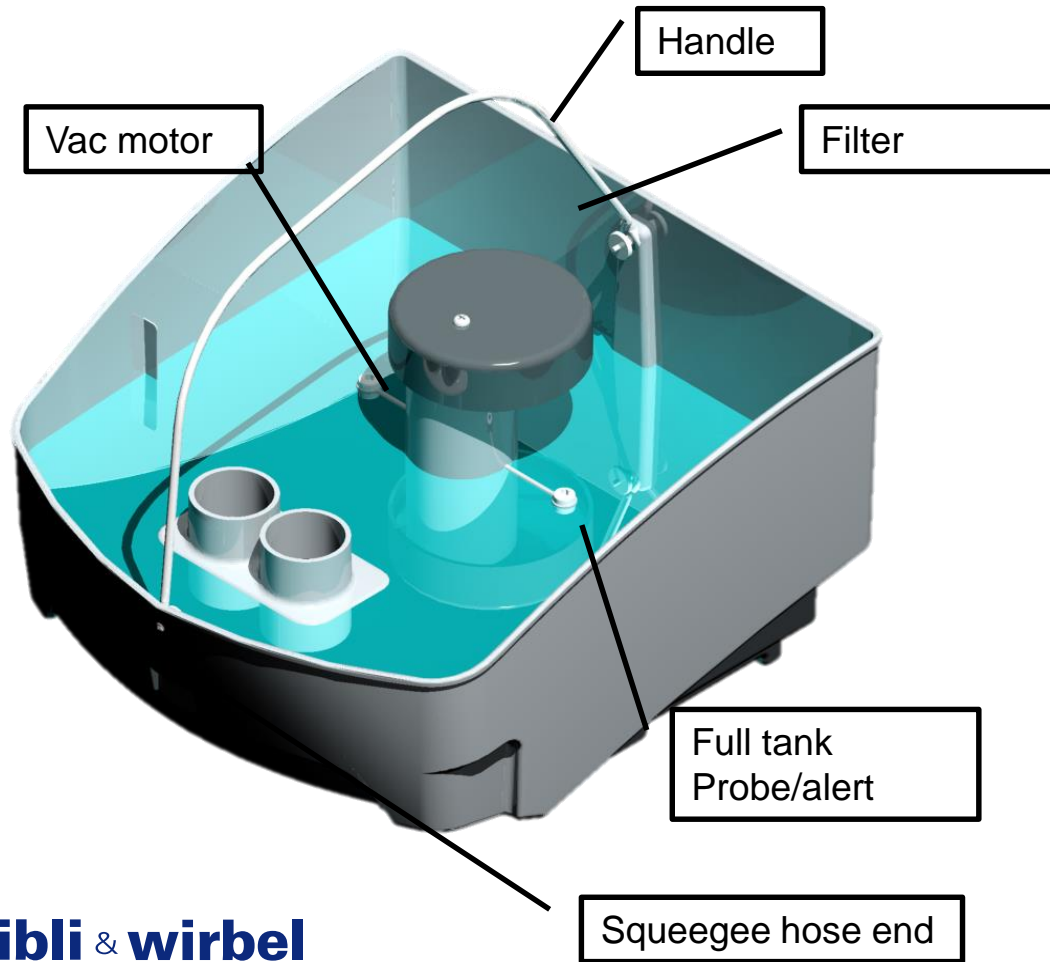
Practical cover with percentage graduation for chemical dosage



Filter +
Draining valve

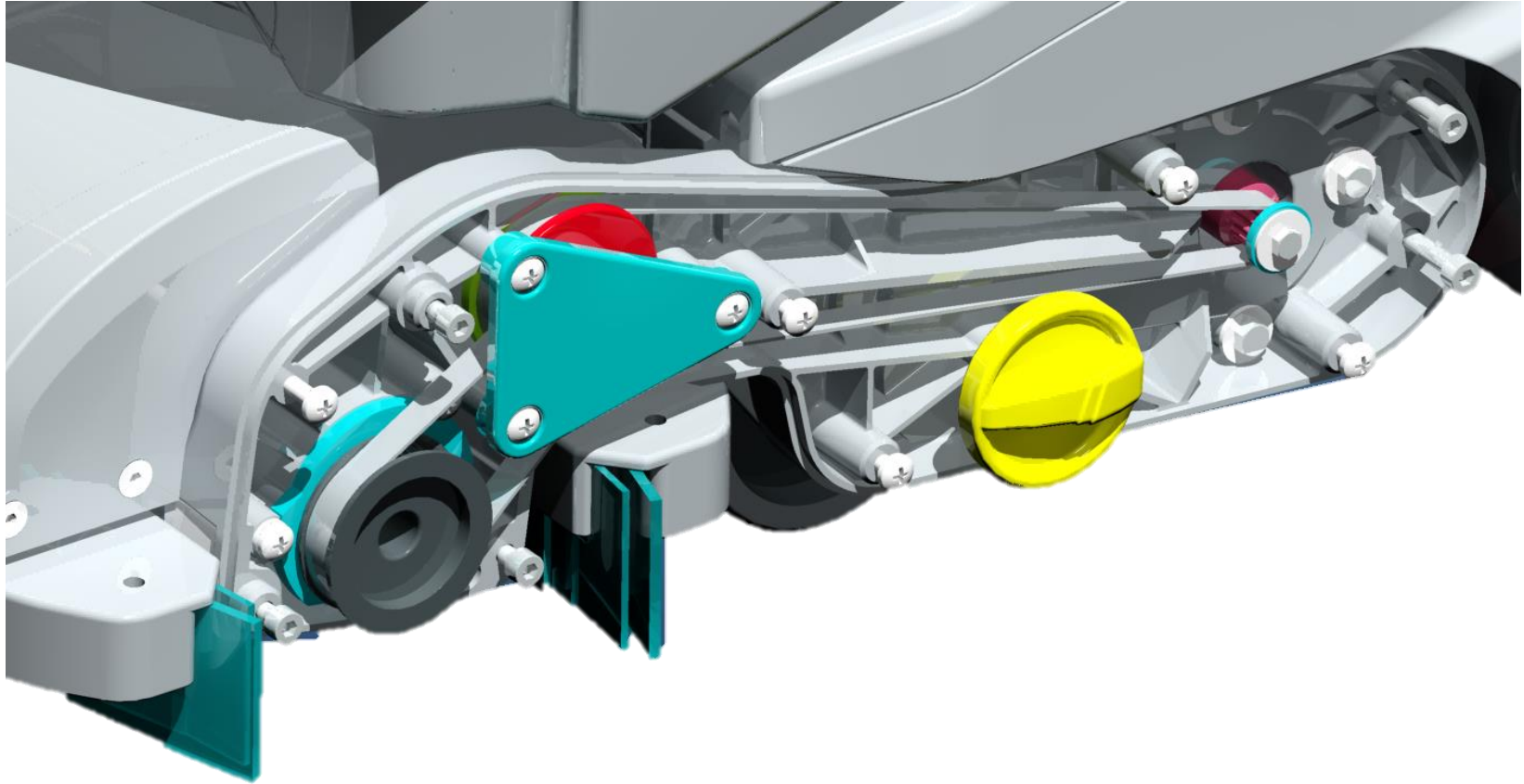
Recovery tank

Foldable and removable, it can be easily transported and drained like a bucket



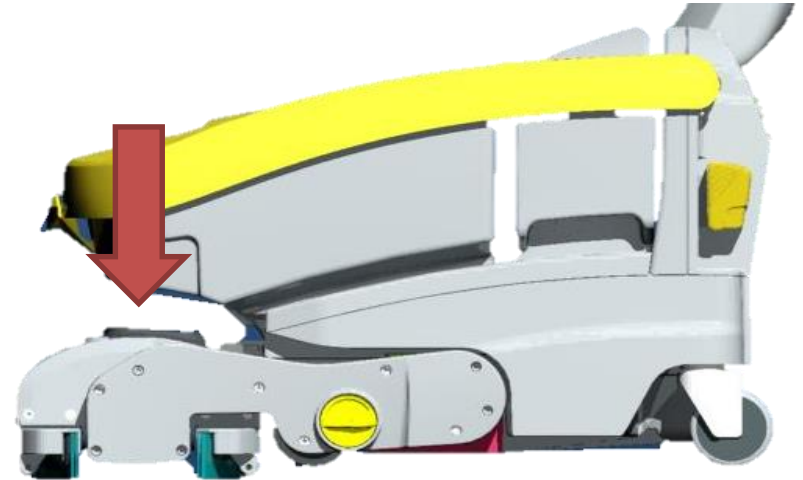
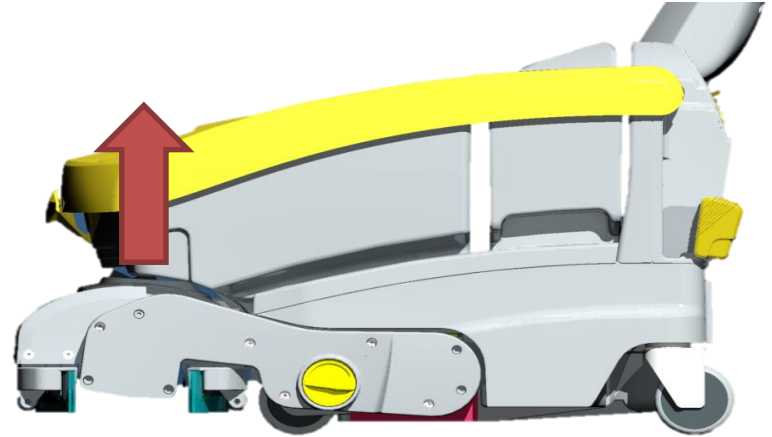
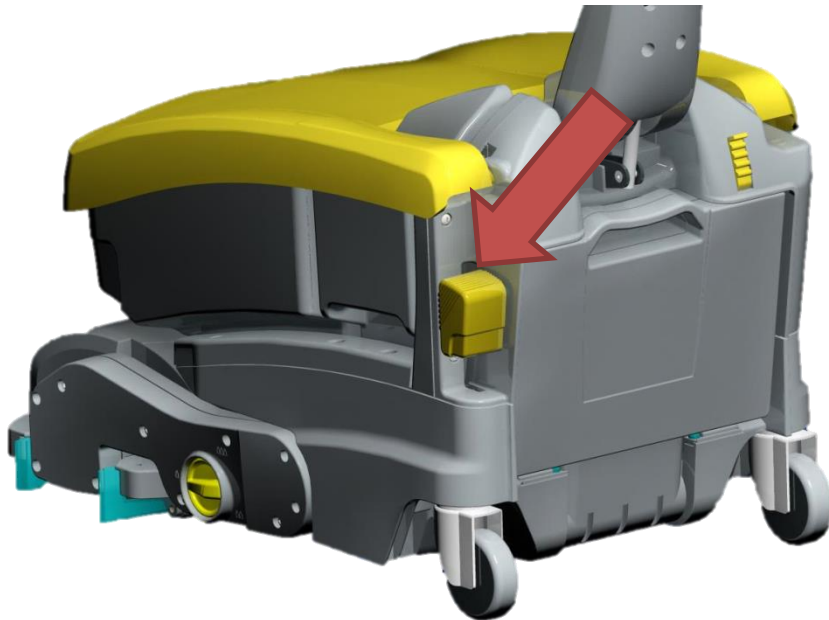
Brush motor

Belt transmission system, 800 rpm



Combined brush head/squeegee system

Pedallifting system to move up & down the brush head.



Combined brush head/squeegee system: brush head

Adjustable down pressure by knob: 3 stage brush pressure (35 – 71 -160 gr/cm²).



Combined brush head/squeegee system: brush head

Cyl brush easy to remove, just clicking the lateral button

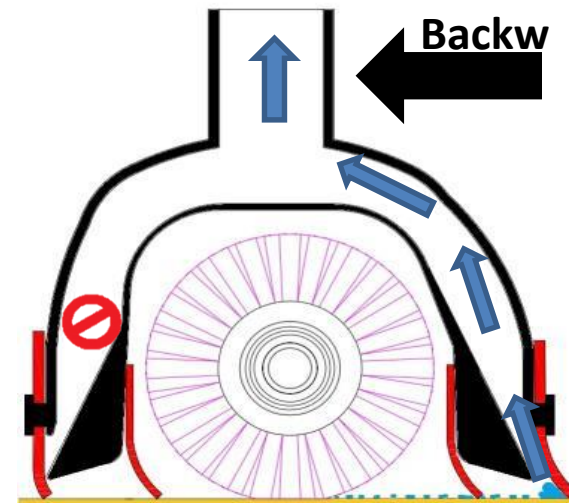
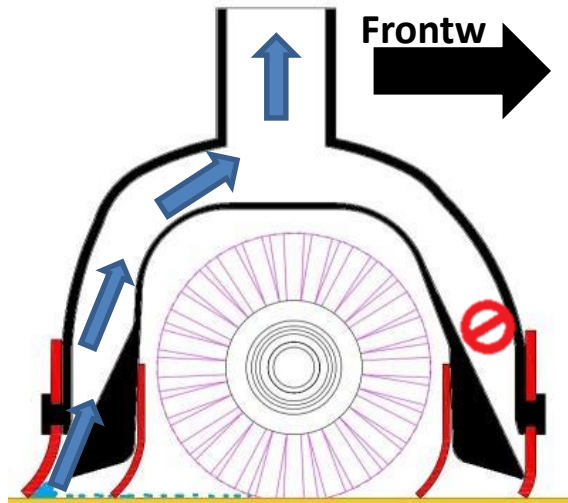


Combined brush head/squeegee system: squeegee



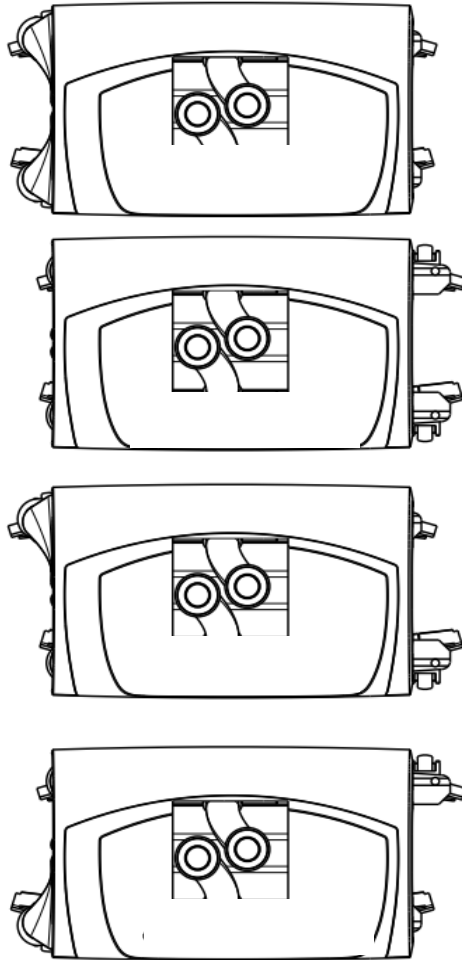
«Two ways» alternate suction system

Optimized consumption– higher maneuverability (less friction) – great drying results



Combined brush head/squeegee system: squeegee

Retractable arms/blades



Combined brush head/squeegee system: squeegee

Front cover and PU squeegee blades easy to remove/clean/change (no tools)



Case batteries

Batteries insert/removal extremely intuitive



Batteries: performance

BIG POWER IN A SMALL CASE

BATTERIES LiFePO4 24V

DURABILITY:

More than 1000 life cycles, an unbeatable long time Investment!

RELIABILITY:

- Not affected by plug in/plug out
- The operator can recharge them whenever and how long he wants (even partially).

PERFORMANCE:

1h running time with 10 Ah batteries, the double with the 20 Ah ones.

LIGHTNESS:

- Only 3,5 kg (10 Ah version) and 5 kg (20 Ah version)
- Easy to be transported and installed by everybody.



Technical data

Model	Ref.No	Power Supply	Tank capacity	Cleaning width	Squeegee width	Rated power	Productivity (theor./practical)	Running time	Contact pressure	Noise level	Weight (empty/with batteries)	Dimensions (l x w x h)
			l	mm	mm	W	m ² /h	h	g/cm ²	db(A)	kg	mm
ROLLY 7½ E33	10.1075.00 10.1075.01	Cable 230V Cable 230V	7,5/8	330	420	400	1.390/835	-	35-71-160	58/54*	24	640x450x422
ROLLY 7½ M33 BC 10 Ah	13.0075.00 13.0075.01	Battery 24V Battery 24V	7,5/8	330	420	270	1.390/835	1	35-71-160	58/54*	23/26,5	640x450x422
ROLLY 7½ M33 BC 20 Ah	17.0075.00 17.0075.01	Battery 24V Battery 24V	7,5/8	330	420	270	1.390/835	2	35-71-160	58/54*	23/28	640x450x422
ROLLY 11 E33	10.1110.00 10.1110.01	Cable 230V Cable 230V	11/12	330	420	400	1.390/835	-	35-71-160	58/54*	25	640x450x502
ROLLY 11 M33 BC 10 Ah	13.0110.00 13.0110.01	Battery 24V Battery 24V	11/12	330	420	270	1.390/835	1	35-71-160	58/54*	24/27,5	640x450x502
ROLLY 11 M33 BC 20 Ah	17.0110.00 17.0110.01	Battery 24V Battery 24V	11/12	330	420	270	1.390/835	2	35-71-160	58/54*	24/29	640x450x502

* Silent mode function



Standard accessories

cod. 40.5000.00 Polypropylene cylindrical blue brush



cod. 96.0084.00 Front/Rear polyurethane blade



cod. 22.0508.00 Case batteries Li Fe PO4 24V 10 Ah



cod. 22.0508.01 Case batteries Li Fe PO4 24V 20 Ah



cod. 18.0056.00 Charger 24V 5 A



Optional accessories

- cod. 40.5000.01 Soft cylindrical polypropylene brush
- cod. 40.5000.02 Hard cylindrical polypropylene brush
- cod. 40.5000.03 Tynex cylindrical brush
- cod. 40.5000.04 Microfiber cylindrical brush
- cod. 96.0085.00 Front/Rear rubber blade
- cod. 18.0064.00 Battery charger Li Fe PO4 24V 10 A
- cod. 18.0065.00 Car charger 24-12V 5A
- cod. 22.0509.00 Kit power supply 230V
It allows to use battery models M33 as cable ones



